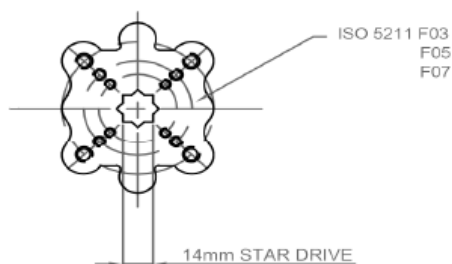
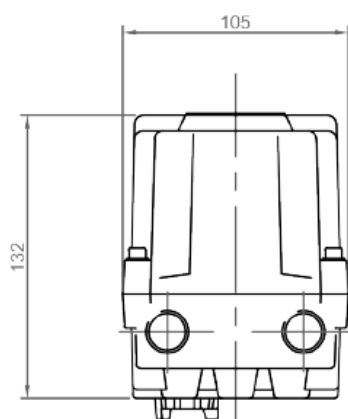
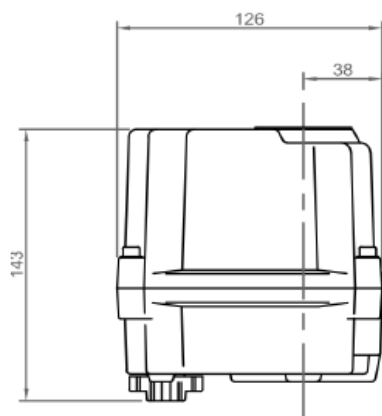




AfriGreen[®]
African Green Distribution (Pty)





HQ Electric Actuator for Albion Ball & Butterfly Valves

Features

- Small, light and compact design
- High Output torque
- Alloy Gearing
- Multi Voltage Options

Standard Specification

Enclosure	:	Weatherproof IP67
Power Supply	:	110/220v 50/60Hz, 24vAC/DC
Duty Cycle (On/Off Duty)	:	S2 35%
Motor	:	Reversible Motor
Limit Switches	:	2 x SPDT, 250V AC 3A
Additional Limit Switches	:	2 x SPDT, 250V AC 3A
Anti-condensation Heater	:	2W (110/220V AC)
Manual Override	:	Hexagon
Conduit Entries	:	2 x M20
Movement Angle	:	320° ± 10° (0° to 320°)
Ambient Temperature	:	-20°C to 70°C
External Coating	:	Dry Powder, Polyester

Optional Specification

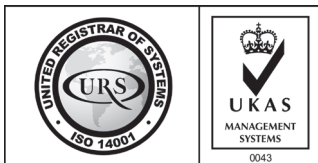
Enclosure	:	Waterproof IP68
Conduit Entries	:	2 x PG 13.5, 1/2" NPT
PIU	:	Potentiometer Unit (1K - 10K)
PCU	:	Proportional Control Unit (In/Out:0-10V, 4-20mA)
CPT	:	Current Position Transmitter (Output 4-20mA DC)
LCU	:	Local Control Unit (Remote/Open/Stop/Close s/w)

Performance

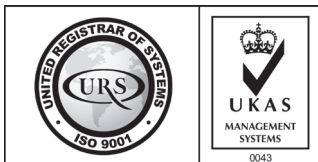
MODEL	MAXIMUM OUTPUT TORQUE	OPERATING TIME 50/60Hz - 90°	MOUNTING BASE ISO 5211
HQ4	40NM	14/12 SEC	F03/F05/F07 - 14mm STAR
HQ6	60NM	14/12 SEC	F03/F05/F07 - 14mm STAR

MODEL	RATED CURRENT (A)				WEIGHT
	110VAC	220VAC	24VAC	24VDC	
HQ4	0.4	0.2	1.7	1.7	3kg
HQ6	0.4	0.2	1.7	1.7	3kg

AVION



URS is a member of Registrar of Standards (Holdings) Ltd.



URS is a member of Registrar of Standards (Holdings) Ltd.

Distributor