



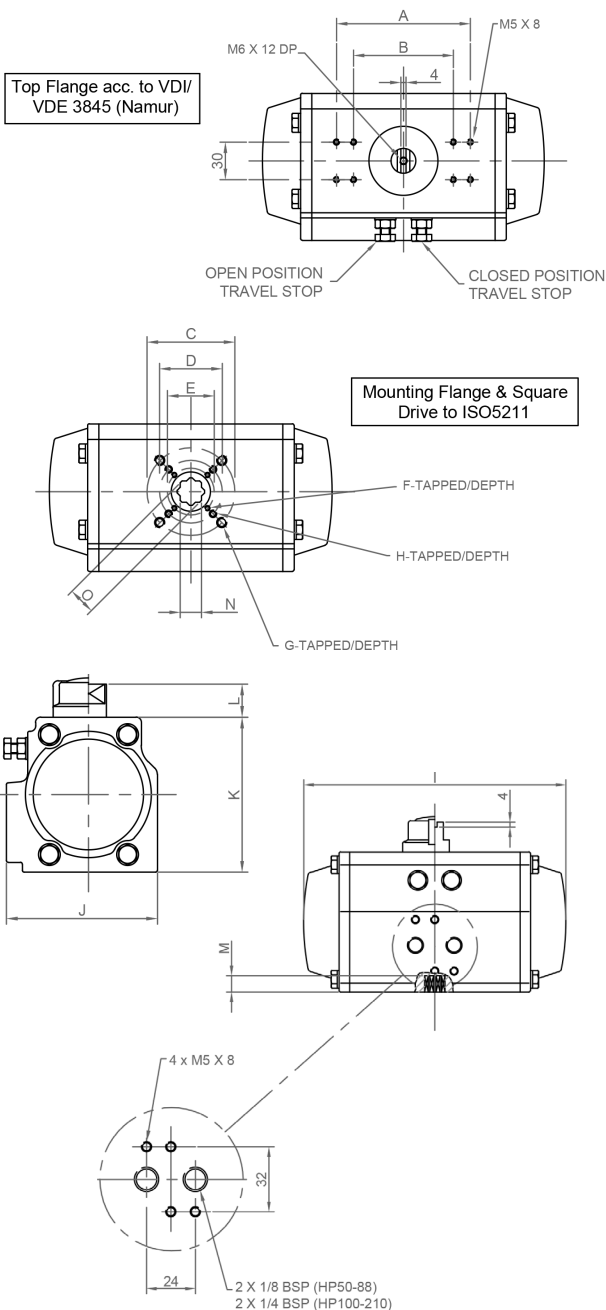
AfriGreen[®]
African Green Distribution (Pty)



HP Pneumatic Actuator for Albion Ball & Butterfly Valves

Features

- Double acting & Spring return models
- Hard anodised aluminium housing
- Wide range of torque & control options available



HPS / HPD	50	63	66	75	88	100	115
A	-	-	-	-	-	-	-
B	80	80	80	80	80	80	80
C	50	70	70	70	102	102	102
D	36	50	50	50	70	70	70
E	-	-	-	-	50	50	-
F	-	-	-	-	M6/9	M6/9	-
G	M6/9	M8/12	M8/12	M8/12	M10/15	M10/15	M10/15
H	M5/8	M6/9	M6/9	M6/9	M8/12	M8/12	M8/12
I	144	163	202	210	247	268	316
J	72	85	85	96	108	123	141
K	73	87	87	104	116	128	146
L	20	20	20	20	20	20	20
M	14	18	18	22	22	22	32
N	11	14	14	17	17	17	22
O	14.2	18.2	18.2	22.2	22.2	22.2	28.2

HPS / HPD	125	145	160	180	200	210
A	-	130	130	130	130	130
B	80	80	80	80	80	80
C	125	125	125	125	140	140
D	102	102	102	102	-	-
E	70	-	-	-	-	-
F	M8/12	-	-	-	-	-
G	M12/18	M12/18	M12/18	M12/18	M16/24	M16/24
H	M10/15	M10/15	M10/15	M10/15	-	-
I	347	414	467	497	555	628
J	151	172	190	206	227	236
K	159	179	196	221	247	256
L	20	30	30	30	30	30
M	32	36	36	39	39	43
N	22	27	27	36	36	36
O	28.2	36.2	36.2	48.2	48.2	48.2

For Torque information please contact the sales office.

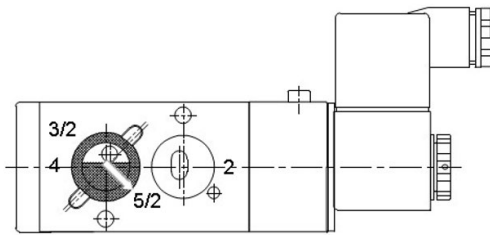


Universal Direct Mount Namur Solenoid

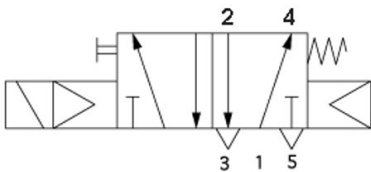
Features

- Life Cycle 12,000,000 operations
- 5/2 - 3/2 Interchangeable
- Available in 110VAC, 230VAC, 24VAC, 24VDC
- IP65
- Manual over-ride control

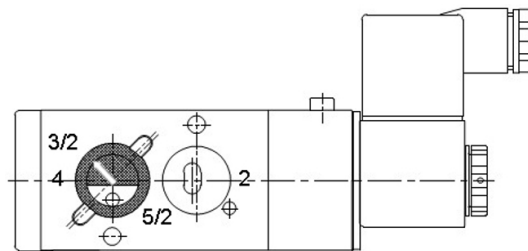
5/2 way (Double Acting Actuators)



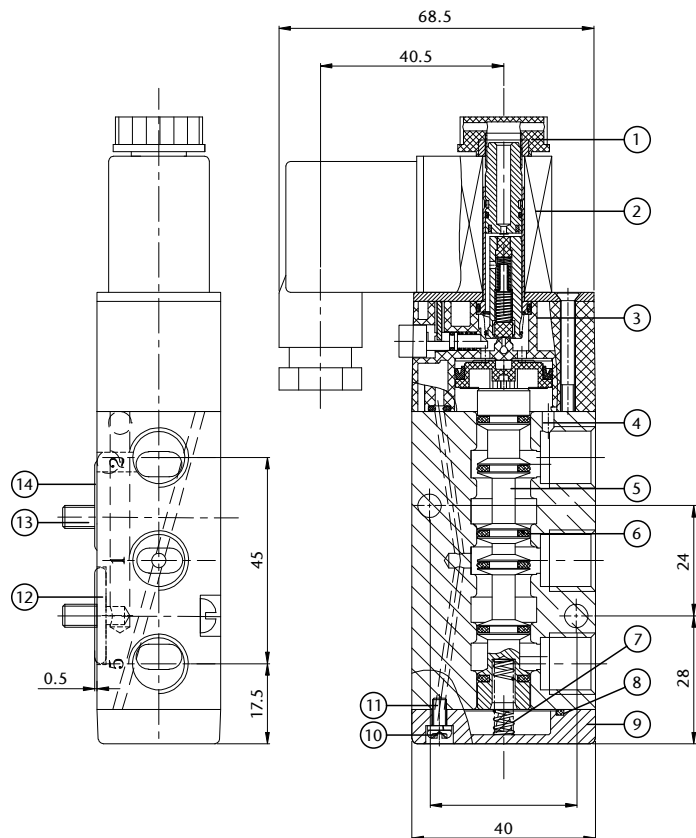
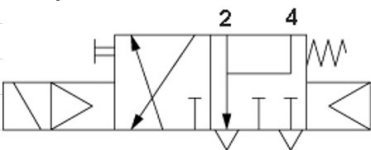
Model: V523231E4-08MG 5/2
5/2 way with silencers function diagram



3/2 way (Spring Return Actuators)



Model: V523231E4-08MG 3/2
3/2 way with silencers function diagram



N.	Component	Material
1	Nut	PA66 (Nylon) +30% GF (Plastic)
2	Coil (Din Plug)	Enamelled Wire & Engineering Plastic
3	Pilot Unit	Pure Steel & Cu & Stainless Steel
4	Valve Body	6061-T6 (Aluminium Alloy)
5	Spool	6061-T6 (Aluminium Alloy)
6	Flat Ring	HNBR 80°
7	Spring	SUS304-WPB
8	Diamond Ring	NBR
9	Rear Cover	Zinc Alloy
10	Screw	Q235 (Steel)
11	Spring Washer	Q235 (Steel)
12	Switch Gasket	NBR & Q235
13	Screw	Q235 (Steel)
14	O Ring	NBR

Technical Data

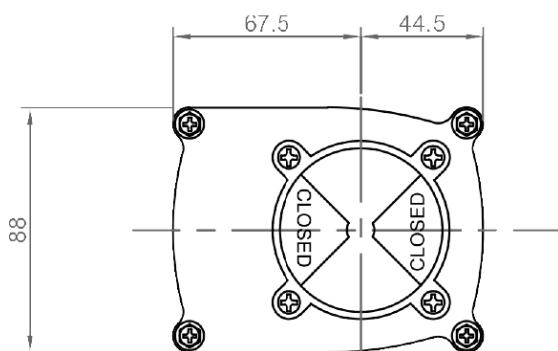
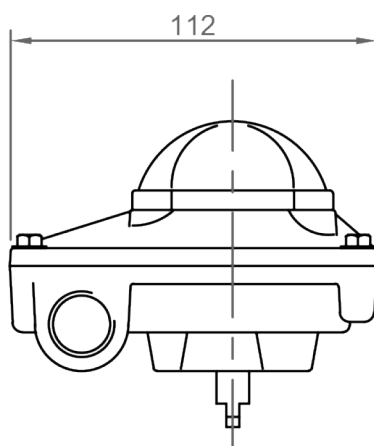
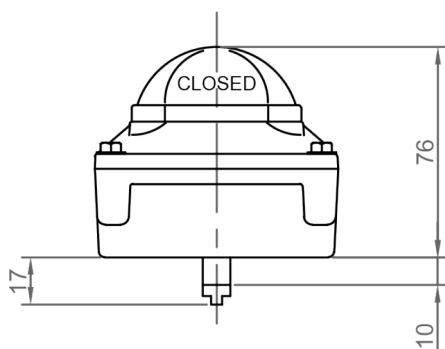
Working Pressure 1.5 to 8 Bar

Max Working Temperature -20°C to +60°C

Dimensions in mm

This data sheet is designed as a guide and should not be regarded as wholly accurate in every detail. We reserve the right to amend the specification of any product without notice.

Switchbox



Features

- Powder coated aluminium switchbox to IP67
- Solid & compact design with high visibility beacon indicator
- Captive cover bolts are safely retained during installation and maintenance
- Easily adjustable with no tools required
- Dual cable entries are provided
- Mounted to the actuator using a NAMUR standard stainless steel mounting bracket
- Switchboxes available to suit hazardous areas

Standard Specification

Enclosure Material	: Die cast aluminium
Enclosure Rating	: IP67
Enclosure Finish	: Polyester powder coating (Black)
Shaft Material	: Stainless steel
Cable Entries	: 2 x M20 (Options PG13.5 & 1/2"NPT)
Limit Switch Type	: 2 x SPDT, mechanical
Voltage / Amps	: 250V AC/16A, 125V AC/16A, : 250VDC/0.3A, 125VDC/0.6A, 30VDC/10A
Ambient Temperature	: -20°C to +80°C

Options

Enclosure Rating	: IP68
Proximity sensors	: Available upon request
Beacon Indicator	: 3 way indication

Pneumatic DA Actuator to Albion Valve Combinations

	ART 160	ART 87/88	ART 993H	ART 926	ART 928	ART 987/988	ART 279 / 280 / 281	ART 110/115/120/135/145	ART 125/140	BVI13	ART 995T/995NPT	ART 956/958
1/4"	HP50D 9-11 spacer	HP50D 9-11 spacer	HP50D 9-11 spacer			HP50D 9-11 spacer						
3/8"	HP50D 9-11 spacer	HP50D 9-11 spacer	HP50D 9-11 spacer			HP50D 9-11 spacer						
1/2"	HP50D 9-11 spacer	HP50D 9-11 spacer	HP50D 9-11 spacer	HP50D 9-11 spacer	HP50D 9-11 spacer	HP50D 9-11 spacer	HP63D SMK			HP50D SMK	HP50D 9-11 spacer	HP50D 9-11 spacer
3/4"	HP50D 9-11 spacer	HP50D D/M	HP50D D/M	HP50D 9-11 spacer	HP50D 9-11 spacer	HP50D D/M	HP63D SMK			HP50D SMK	HP50D 9-11 spacer	HP50D 9-11 spacer
1"	HP50D 9-11 spacer	HP50D D/M	HP50D D/M	HP50D D/M	HP50D D/M	HP63D 11-14 spacer	HP63D SMK			HP50D SMK	HP50D D/M	HP50D D/M
1 1/4"	HP50D 9-11 spacer	HP50D D/M	HP63D D/M	HP63D 11-14 spacer	HP63D 11-14 spacer	HP63D D/M	HP63D SMK			HP50D SMK	HP63D 11-14 spacer	HP63D 11-14 spacer
1 1/2"	HP50D D/M	HP63D D/M	HP63D D/M	HP63D D/M	HP63D D/M	HP66D D/M	HP63D D/M			HP50D SMK	HP63D D/M	HP63D D/M
2"	HP50D D/M	HP66D D/M	HP66D D/M	HP66D D/M	HP66D D/M	HP75D 14-17 spacer	HP63D D/M	HP63D 11-14 spacer	HP50D 9-11 spacer	HP50D SMK	HP66D D/M	HP66D D/M
2 1/2"	HP63D D/M		HP75D D/M	HP88D D/M	HP75D D/M	HP88D D/M	HP75D 17-14 spacer	HP63D 11-14 spacer	HP50D 9-11 spacer	HP63D SMK	HP88D D/M	HP88D D/M
3"	HP63D D/M		HP88D D/M	HP88D D/M	HP88D D/M	HP100D D/M	HP88D D/M	HP63D 11-14 spacer	HP63D 9-14 spacer	HP66D SMK	HP88D D/M	HP88D D/M
4"			HP100D D/M	HP100D D/M	HP100D D/M	HP115D 17-22 spacer	HP100D D/M	HP66D 11-14 spacer	HP66D 11-14 spacer	HP75D SMK	HP100D D/M	HP100D D/M
5"				HP125D D/M			HP115D D/M	HP75D 14-17 spacer	HP75D 14-17 spacer			
6"				HP145D 22-27 spacer			HP145D 27-22 spacer	HP88D 14-17 spacer	HP100D 14-17 spacer			
8"				HP160D D/M			HP180D 36-27 spacer	HP115D 17-22 spacer	HP115D 17-22 spacer			
10"								HP125D D/M	HP145D 22-27 spacer			
12"								HP145D 22-27 spacer	HP160D 22-27 spacer			

D/M - Direct Mount
SMK - Special Mounting Kit

This table has been designed to help you find a suitable actuator for your valve. To do this select the Valve (top row) and Valve Size (left column) from the table above and the connecting square is the actuator that is suitable for the valve. For full valve information please refer to the individual valve datasheet.

Dimensions in mm
This data sheet is designed as a guide and should not be regarded as wholly accurate in every detail. We reserve the right to amend the specification of any product without notice.

Pneumatic SR Actuator to Albion Valve Combinations

	ART 160	ART 87/88	ART 993H	ART 926	ART 928	ART 987/988	ART 279 / 280 / 281	ART 110/115/120/135/145	ART 125/140	BVI13	ART 995T/995NPT	ART 956/958
1/4"	HP50S 9-11 spacer	HP50S 9-11 spacer	HP50S 9-11 spacer			HP50S 9-11 spacer						
3/8"	HP50S 9-11 spacer	HP50S 9-11 spacer	HP50S 9-11 spacer			HP50S 9-11 spacer						
1/2"	HP50S 9-11 spacer	HP50S 9-11 spacer	HP50S 9-11 spacer	HP50S 9-11 spacer	HP50S 9-11 spacer	HP50S 9-11 spacer	HP66S SMK			HP50S SMK	HP50S 9-11 spacer	HP50S 9-11 spacer
3/4"	HP50S 9-11 spacer	HP63S 11-14 spacer	HP50S D/M	HP50S 9-11 spacer	HP50S 9-11 spacer	HP63S 11-14 spacer	HP66S SMK			HP50S SMK	HP50S 9-11 spacer	HP50S 9-11 spacer
1"	HP50S 9-11 spacer	HP63S 11-14 spacer	HP63S D/M	HP63S 11-14 spacer	HP63S 11-14 spacer	HP66S 11-14 spacer	HP75S SMK			HP50S SMK	HP63S 11-14 spacer	HP63S 11-14 spacer
1 1/4"	HP50S 9-11 spacer	HP63S 11-14 spacer	HP63S D/M	HP63S 11-14 spacer	HP66S 11-14 spacer	HP75S D/M	HP75S SMK			HP50S SMK	HP66S 11-14 spacer	HP66S 11-14 spacer
1 1/2"	HP63S 11-14 spacer	HP66S D/M	HP66S D/M	HP66S D/M	HP66S D/M	HP88S 14-17 spacer	HP75S 17-14 spacer			HP50S SMK	HP66S D/M	HP66S D/M
2"	HP63S 11-14 spacer	HP75S 14-17 spacer	HP75S 14-17 spacer	HP88S 14-17 spacer	HP88S 14-17 spacer	HP100S 14-17 spacer	HP75S 17-14 spacer	HP75S 11-17 spacer	HP66S 9-14 spacer	HP63S SMK	HP75S 14-17 spacer	HP75S 14-17 spacer
2 1/2"	HP66S D/M		HP100S D/M	HP100S 17-22 spacer	HP100S 17-22 spacer	HP100S 17-22 spacer	HP115S 17-22 spacer	HP88S 17-14 spacer	HP75S 11-17 spacer	HP66S 9-14 spacer	HP75S SMK	HP100S 17-22 spacer
3"	HP66S D/M		HP115S 17-22 spacer	HP115S 17-22 spacer	HP115S 17-22 spacer	HP125S 17-22 spacer	HP115S 22-17 spacer	HP88S 11-17 spacer	HP75S 9-17 spacer	HP75S SMK	HP115S 17-22 spacer	HP115S 17-22 spacer
4"			HP125S 17-22 spacer	HP125S 17-22 spacer	HP125S 17-22 spacer	HP145S 17-27 spacer	HP125S 22-17 spacer	HP88S 11-17 spacer	HP88S 11-17 spacer	HP88S SMK	HP125S 17-22 spacer	HP125S 17-22 spacer
5"				HP145S 22-27 spacer			HP145S 27-22 spacer	HP100S 14-17 spacer	HP115S 14-22 spacer			
6"				HP180S 22-36 spacer			HP160S 27-22 spacer	HP115S 14-22 spacer	HP125S 14-22 spacer			
8"				HP200S 27-36 spacer			HP211S SMK	HP145S 17-27 spacer	HP145S 17-27 spacer			
10"								HP180S 22-36 spacer	HP180S 22-36 spacer			
12"								HP200S SMK	HP200S SMK			

D/M - Direct Mount
SMK - Special Mounting Kit

This table has been designed to help you find a suitable actuator for your valve. To do this select the Valve (top row) and Valve Size (left column) from the table above and the connecting square is the actuator that is suitable for the valve. For full valve information please refer to the individual valve datasheet.

Dimensions in mm
This data sheet is designed as a guide and should not be regarded as wholly accurate in every detail. We reserve the right to amend the specification of any product without notice.

Electric Actuator to Albion Valve Combinations

	ART 160	ART 87/88	ART 993H	ART 926	ART 928	ART 987/988	ART 279 / 280 / 281	ART 110/115/120/135/145	ART 125/140	BVI13	ART 995T/995NPT	ART 956/958
1/4"	HQ5 9-14 spacer	HQ5 9-14 spacer	HQ5 9-14 spacer			HQ5 9-14 spacer						
3/8"	HQ5 9-14 spacer	HQ5 9-14 spacer	HQ5 9-14 spacer			HQ5 9-14 spacer						
1/2"	HQ5 9-14 spacer	HQ5 9-14 spacer	HQ5 9-14 spacer	HQ5 9-14 spacer	HQ5 9-14 spacer	HQ5 9-14 spacer	HQ5 14-9 spacer			HQ5 SMK	HQ5 9-14 spacer	HQ5 9-14 spacer
3/4"	HQ5 9-14 spacer	HQ5 11-14 spacer	HQ5 11-14 spacer	HQ5 9-14 spacer	HQ5 9-14 spacer	HQ5 11-14 spacer	HQ5 14-9 spacer			HQ5 SMK	HQ5 9-14 spacer	HQ5 9-14 spacer
1"	HQ5 9-14 spacer	HQ5 11-14 spacer	HQ5 11-14 spacer	HQ5 11-14 spacer	HQ5 11-14 spacer	HQ5 11-14 spacer	HQ5 14-11 spacer			HQ5 SMK	HQ5 11-14 spacer	HQ5 11-14 spacer
1 1/4"	HQ5 9-14 spacer	HQ5 11-14 spacer	HQ5 D/M	HQ5 11-14 spacer	HQ5 11-14 spacer	HQ5 D/M	HQ5 14-11 spacer			HQ5 SMK	HQ5 11-14 spacer	HQ5 11-14 spacer
1 1/2"	HQ5 11-14 spacer	HQ5 D/M	HQ5 D/M	HQ5 D/M	HQ5 D/M	HQ5 D/M	HQ5 D/M			HQ5 SMK	HQ5 D/M	HQ5 D/M
2"	HQ5 11-14 spacer	HQ5 D/M	HQ5 D/M	HQ5 D/M	HQ5 D/M	HQ6 D/M	HQ5 D/M	HQ5 11-14 spacer	HQ5 9-14 spacer	HQ5 SMK	HQ5 D/M	HQ5 D/M
2 1/2"	HQ5 D/M		HQ8 D/B	HQ8 D/B	HQ8 D/B	HQ8 D/B	HQ6 D/M	HQ5 11-14 spacer	HQ5 9-14 spacer	HQ5 SMK	HQ8 D/B	HQ8 D/B
3"	HQ5 D/M		HQ15 D/M	HQ15 D/M	HQ15 D/M	HQ15 D/M	HQ15 D/M	HQ5 11-14 spacer	HQ5 9-14 spacer	HQ5 SMK	HQ15 D/M	HQ15 D/M
4"			HQ15 D/M	HQ15 D/M	HQ15 D/M	HQ20 D/M	HQ15 D/M	HQ5 11-14 spacer	HQ5 11-14 spacer	HQ6 SMK	HQ15 D/M	HQ15 D/M
5"				HQ30 D/M			HQ30 D/M	HQ6 D/M	HQ8 D/M			
6"				HQ50 D/M			HQ50 D/M	HQ15 14-17 spacer	HQ15 14-17 spacer			
8"				HQ60 D/M			HQ80 D/M	HQ20 D/M	HQ20 D/M			
10"								HQ30 D/M	HQ50 D/M			
12"								HQ50 D/M	HQ50 D/M			

D/M - Direct Mount

SMK - Special Mounting Kit

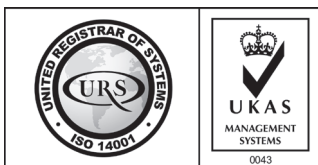
D/B - Machined Drive Bush Required

This table has been designed to help you find a suitable actuator for your valve. To do this select the Valve (top row) and Valve Size (left column) from the table above and the connecting square is the actuator that is suitable for the valve. For full valve information please refer to the individual valve datasheet.

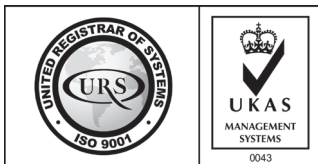
Dimensions in mm

This data sheet is designed as a guide and should not be regarded as wholly accurate in every detail. We reserve the right to amend the specification of any product without notice.

AVION



URS is a member of Registrar of Standards (Holdings) Ltd.



URS is a member of Registrar of Standards (Holdings) Ltd.

Distributor